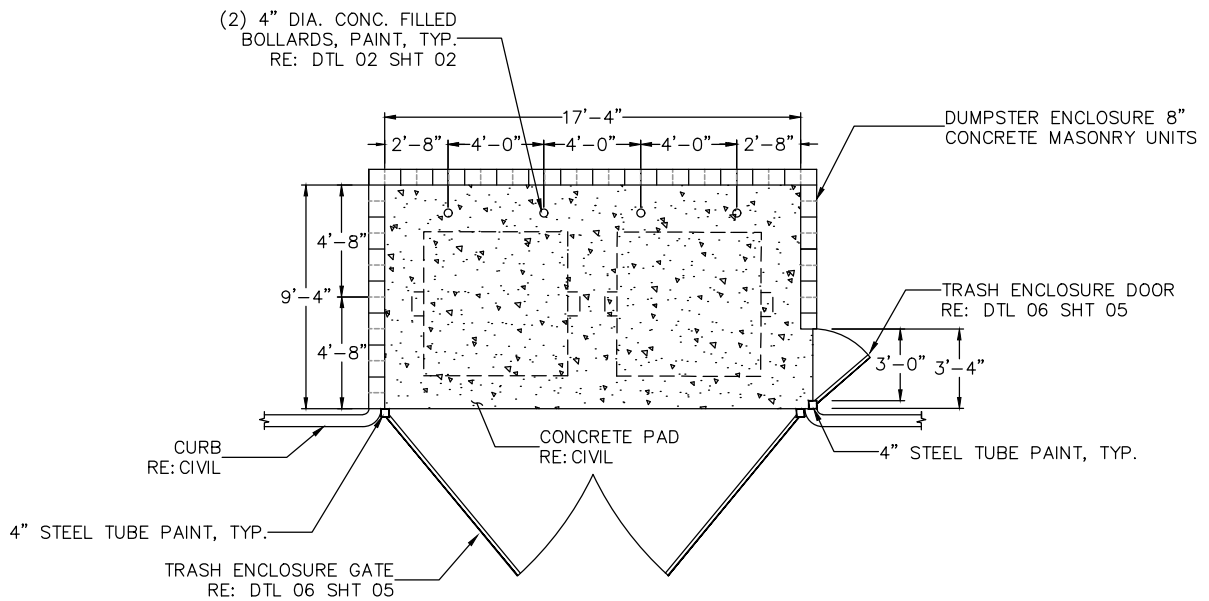


01A TRASH ENCLOSURE PLAN (SINGLE DUMPSTER)
SCALE: N.T.S.



01B TRASH ENCLOSURE PLAN (DUAL DUMPSTERS)
SCALE: N.T.S.



CITY OF UNIVERSAL CITY
DEPARTMENT OF PUBLIC WORKS

DUMPSTER ENCLOSURE DETAIL

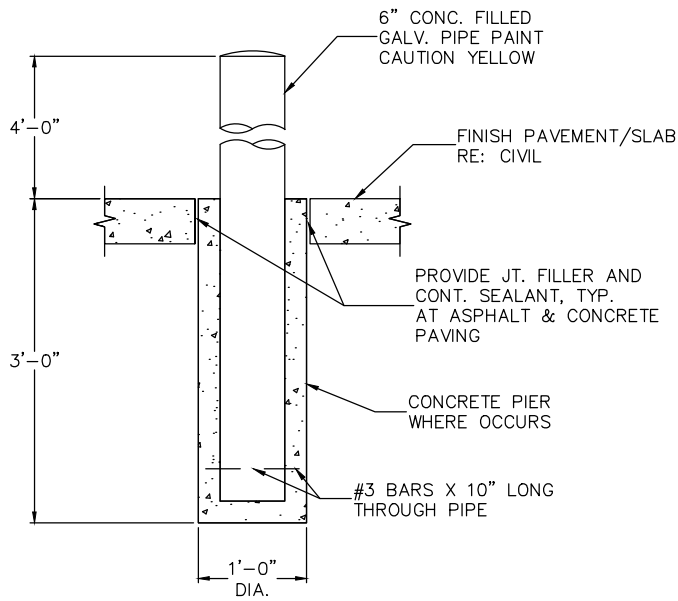
THE ARCHITECT/ENGINEER ASSUMES RESPONSIBILITY FOR APPROPRIATE USE OF THIS STANDARD.
RECORD COPY SIGNED BY RANDY LUENSMANN, PUBLIC WORKS DIRECTOR.

ADOPTED: 10/01/2019

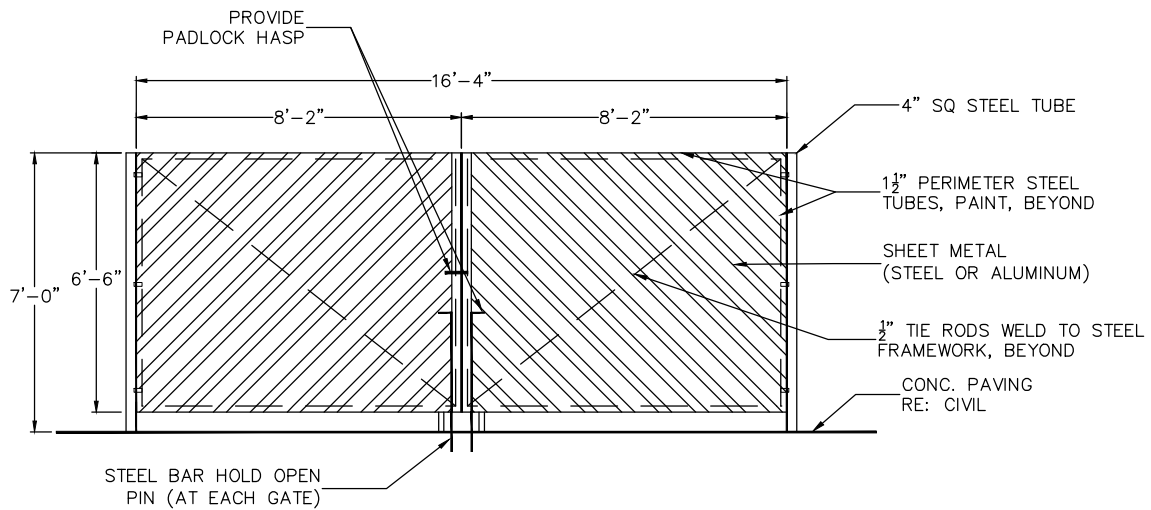
REVISED: 12/13/2019

STANDARD NO.
DET-DED-00

1 OF 5



02 CONCRETE BOLLARD
SCALE: N.T.S.



03 TRASH ENCLOSURE ELEVATION
SCALE: N.T.S.



CITY OF UNIVERSAL CITY
DEPARTMENT OF PUBLIC WORKS

DUMPSTER ENCLOSURE DETAIL

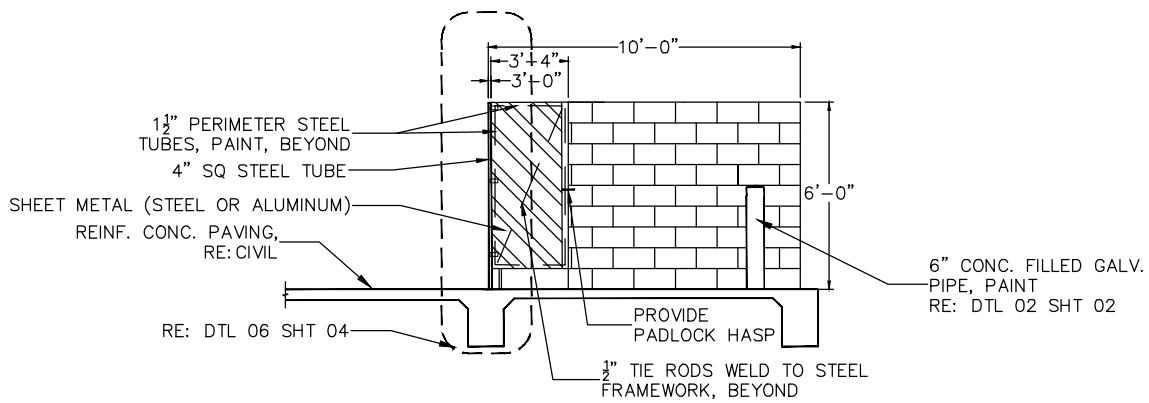
THE ARCHITECT/ENGINEER ASSUMES RESPONSIBILITY FOR APPROPRIATE USE OF THIS STANDARD.
RECORD COPY SIGNED BY RANDY LUENSMANN, PUBLIC WORKS DIRECTOR.

ADOPTED: 10/01/2019

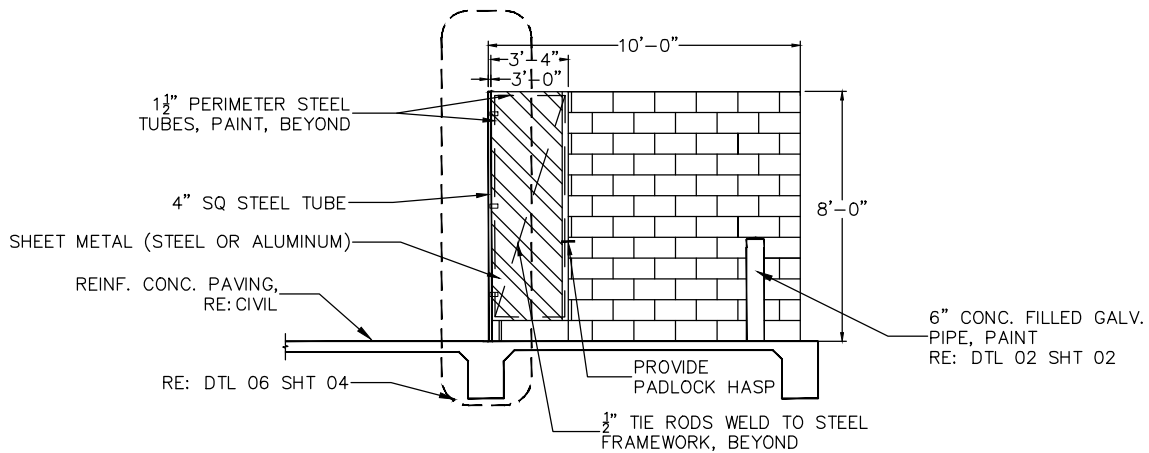
REVISED: 12/13/2019

STANDARD NO.
DET-DED-00

2 OF 5



04A TRASH ENCLOSURE ELEVATION 6FT HEIGHT
SCALE: N.T.S.



04B TRASH ENCLOSURE ELEVATION 8FT HEIGHT
SCALE: N.T.S.



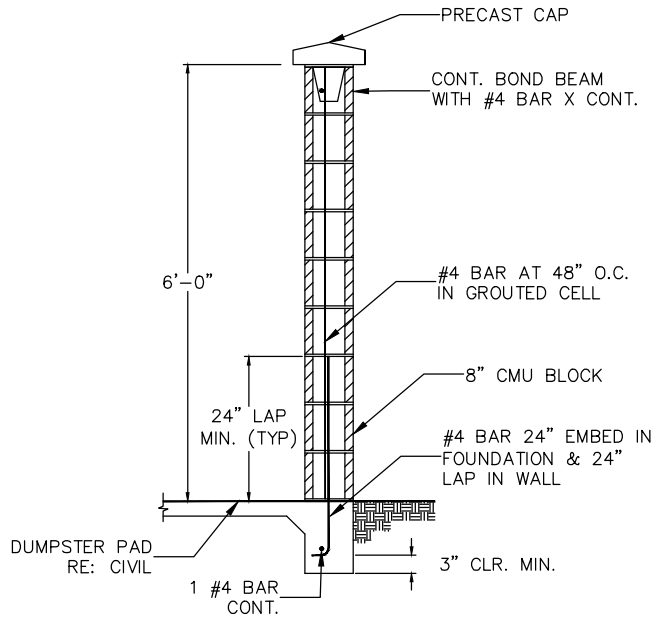
CITY OF UNIVERSAL CITY
DEPARTMENT OF PUBLIC WORKS

DUMPSTER ENCLOSURE DETAIL

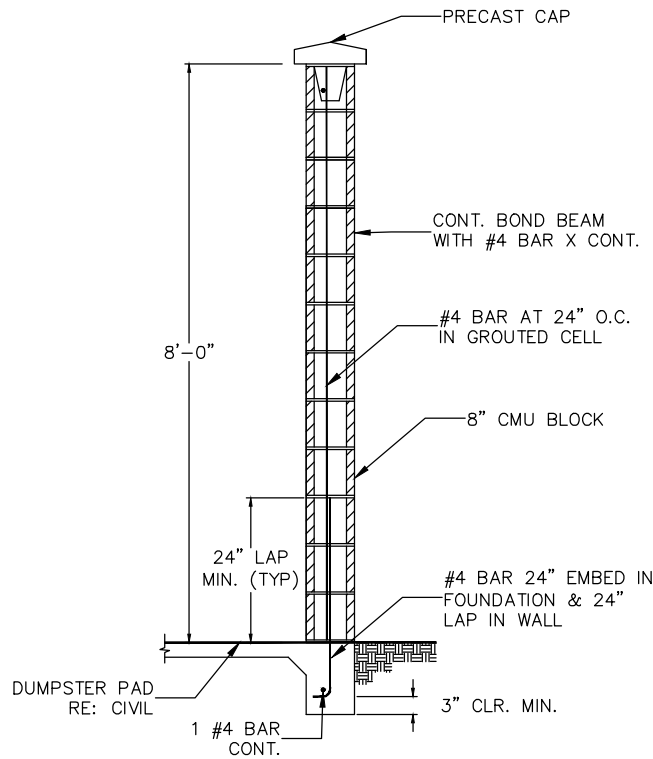
THE ARCHITECT/ENGINEER ASSUMES RESPONSIBILITY FOR APPROPRIATE USE OF THIS STANDARD.
RECORD COPY SIGNED BY RANDY LUENSMANN, PUBLIC WORKS DIRECTOR.

ADOPTED: 10/01/2019
REVISED: 12/13/2019

STANDARD NO.
DET-DED-00
3 OF 5



05A TRASH ENCLOSURE 6FT CMU WALL SECTION
SCALE: N.T.S.



05B TRASH ENCLOSURE 8FT CMU WALL SECTION
SCALE: N.T.S.



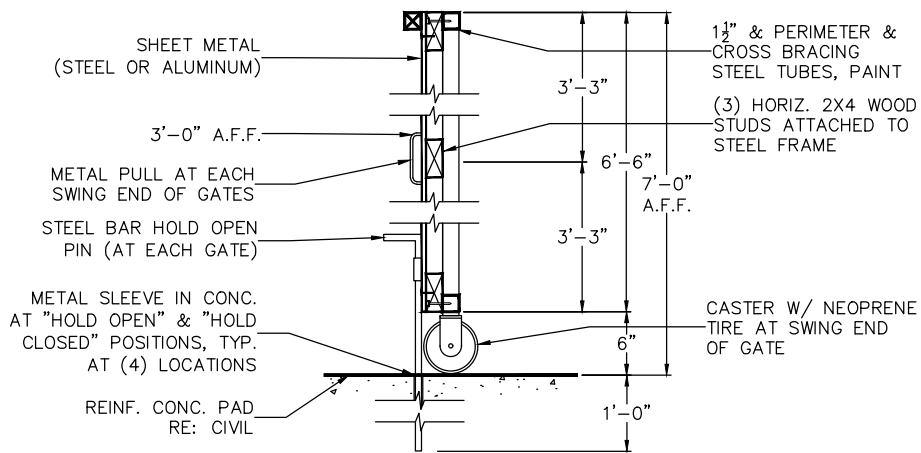
CITY OF UNIVERSAL CITY
DEPARTMENT OF PUBLIC WORKS

DUMPSTER ENCLOSURE DETAIL

THE ARCHITECT/ENGINEER ASSUMES RESPONSIBILITY FOR APPROPRIATE USE OF THIS STANDARD.
RECORD COPY SIGNED BY RANDY LUENSMANN, PUBLIC WORKS DIRECTOR.

ADOPTED: 10/01/2019
REVISED: 12/13/2019

STANDARD NO.
DET-DED-00
4 OF 5



06 TRASH ENCLOSURE GATE
 SCALE: N.T.S.

NOTE:
 BOTH GATES MUST
 OPEN A FULL 180
 DEGREES



CITY OF UNIVERSAL CITY DEPARTMENT OF PUBLIC WORKS	
DUMPSTER ENCLOSURE DETAIL	
THE ARCHITECT/ENGINEER ASSUMES RESPONSIBILITY FOR APPROPRIATE USE OF THIS STANDARD.	
RECORD COPY SIGNED BY RANDY LUENSMANN, PUBLIC WORKS DIRECTOR.	

ADOPTED: 10/01/2019
REVISED: 12/13/2019
STANDARD NO. DET-DED-00
5 OF 5